

BERKER SERIE 1930 PORZELLAN
MADE BY ROSENTHAL



PRODUCT INFORMATION

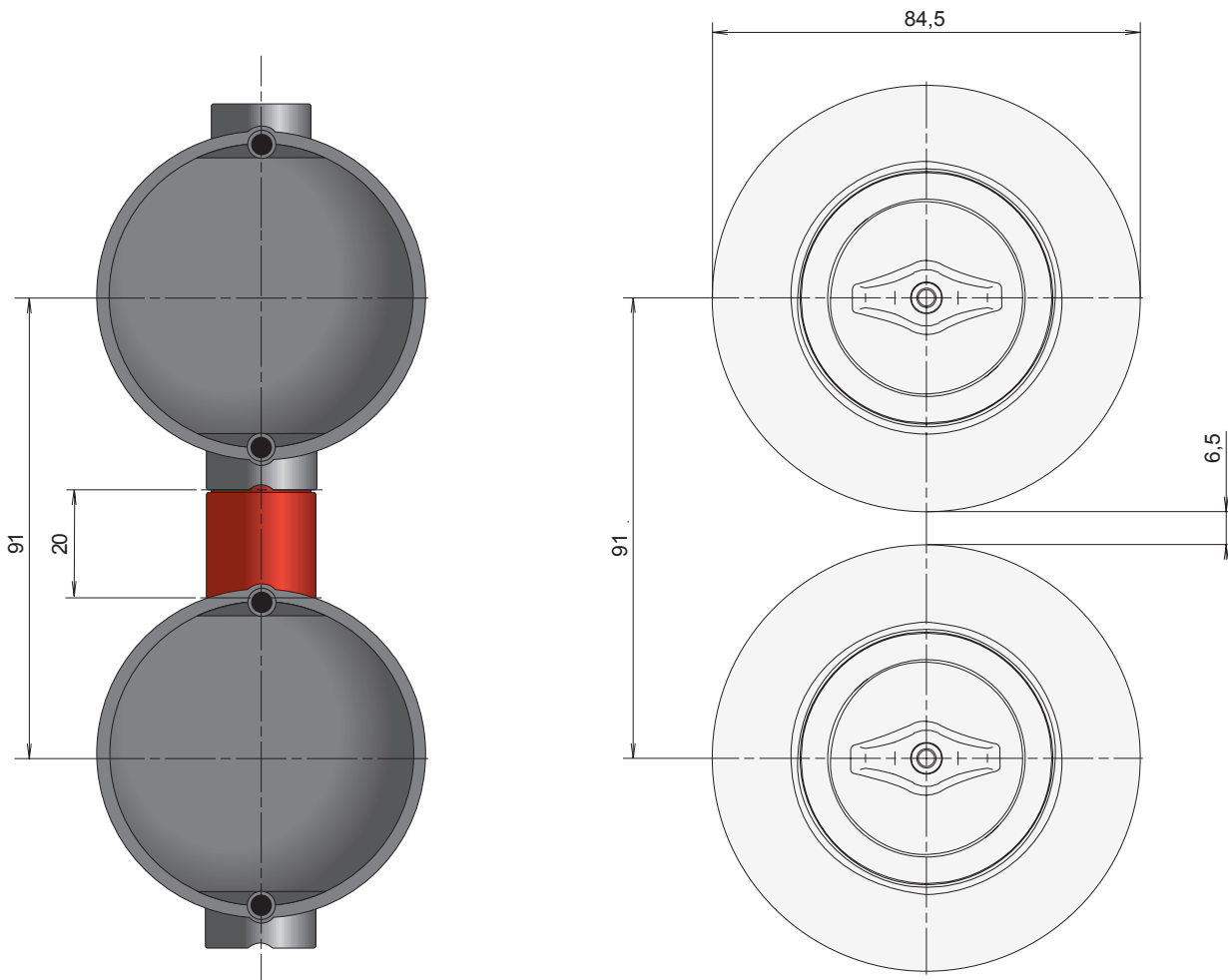
B.

Berker the right way.

The Serie 1930 porcelain frames have a larger diameter in order to better highlight the high-quality Rosenthal porcelain. Due to the special impression created by the material, when combining more than one device, we recommend placing each of them in a 1gang porcelain frame. When doing so, please observe the distance dimensions shown below.

SPECIAL CONSIDERATIONS FOR INSTALLATION

- For flush-mounted installation a centre-to-centre dimension of 91 mm is recommended. In order to maintain the appropriate distance during plastering, flush-mounting boxes from Kaiser with snap-tunnel supports must be used; their distance can be set easily and optimally using a spacer gland (order no. 1885).



- For hollow-wall installation we also recommend a centre-to-centre dimension of 91 mm.
- Due to its diameter of 84.5 mm, the porcelain frame cannot be installed with a Serie 1930 surface-mounted frame

To integrate additional functions (e.g. a socket outlet, rotary dimmer) the porcelain frame can be combined with all centre plates and their inserts made of plastic from the Serie 1930 product line.